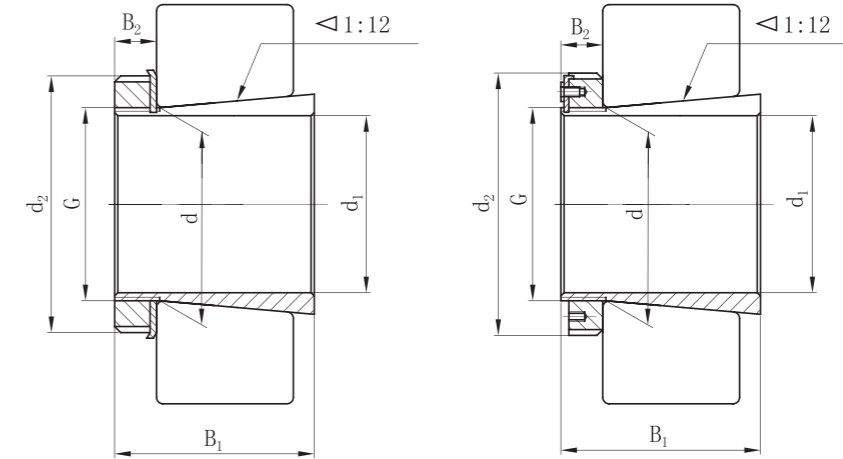


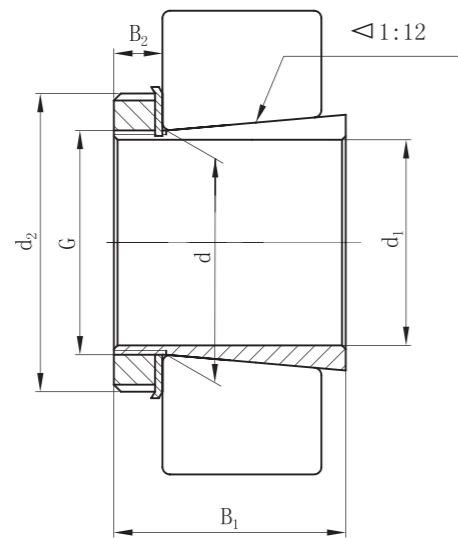
**H200 SERIES  
H300 SERIES**

Adapter Sleeve	Shaft $d_1$				Dimensions (mm)					Weight (kg)	Composition		
	HS in	HA in	HE in	H mm	d	$d_2$	$B_2$	$B_1$	G		Sleeve	Locknut	Lockwasher
H204	5/8			17	20	32	24	7	M20 X 1	0.041	A204	KM4	MB04
H205		11/16	3/4	20	25	38	26	8	M25 X 1.5	0.07	A205	KM5	MB05
H206	7/8	15/16	1	25	30	45	27	8	M30 X 1.5	0.1	A206	KM6	MB06
H207	1-1/8	1-3/16		30	35	52	29	9	M35 X 1.5	0.13	A207	KM7	MB07
H208	1-3/8	1-5/16	1-1/4	35	40	58	31	10	M40 X 1.5	0.17	A208	KM8	MB08
H209		1-7/16	1-1/2	40	45	65	33	11	M45 X 1.5	0.23	A209	KM9	MB09
H210	1-5/8	1-11/16	1-3/4	45	50	70	35	12	M50 X 1.5	0.27	A210	KM10	MB10
H211	1-7/8	1-15/16	2	50	55	75	37	13	M55 X 2	0.31	A211	KM11	MB11
H212	2-1/8	2-1/16		55	60	80	38	13	M60 X 2	0.35	A212	KM12	MB12
H213	2-3/8	2-3/16	2-1/4	60	65	85	40	14	M65 X 2	0.4	A213	KM13	MB13
H214				60	70	92	41	14	M70 X 2	0.6	A214	KM14	MB14
H215	2-5/8	2-7/16	2-1/2	65	75	98	42	15	M75 X 2	0.71	A215	KM15	MB15
H216	2-7/8	2-11/16	2-3/4	70	80	105	46	17	M80 X 2	0.88	A216	KM16	MB16
H217		2-15/16	3	75	85	110	50	18	M85 X 2	1.02	A217	KM17	MB17
H218	3-1/8	3-3/16	3-1/4	80	90	120	52	18	M90 X 2	1.2	A218	KM18	MB18
H219		2-5/16	3-1/4	85	95	125	55	19	M95 X 2	1.35	A219	KM19	MB19
H220		3-7/16	3-1/2	90	100	130	58	20	M100 X 2	1.5	A220	KM20	MB20
H221				95	105	140	60	20	M105 X 2	1.7	A221	KM21	MB21
H222		3-15/16	4	100	110	145	63	21	M110 X 2	1.9	A222	KM22	MB22
H304	5/8			17	20	32	28	7	M20 X 1	0.045	A304	KM4	MB04
H305		11/16	3/4	20	25	38	29	8	M25 X 1.5	0.075	A305	KM5	MB05
H306	7/8	15/16	1	25	30	45	31	8	M30 X 1.5	0.11	A306	KM6	MB06
H307	1-1/8	1-3/16		30	35	52	35	9	M35 X 1.5	0.14	A307	KM7	MB07
H308	1-3/8	1-5/16	1-1/4	35	40	58	36	10	M40 X 1.5	0.19	A308	KM8	MB08
H309		1-7/16	1-1/2	40	45	65	39	11	M45 X 1.5	0.25	A309	KM9	MB09
H310	1-5/8	1-11/16	1-3/4	45	50	70	42	12	M50 X 1.5	0.3	A310	KM10	MB10
H311	1-7/8	1-15/16	2	50	55	75	45	12	M55 X 2	0.35	A311	KM11	MB11
H312	2-1/8	2-1/16		55	60	80	47	13	M60 X 2	0.39	A312	KM12	MB12
H313	2-3/8	2-3/16	2-1/4	60	65	85	50	14	M65 X 2	0.46	A313	KM13	MB13
H314				60	70	92	52	14	M70 X 2	0.72	A314	KM14	MB14
H315	2-5/8	2-7/16	2-1/2	65	75	98	55	15	M75 X 2	0.83	A315	KM15	MB15
H316	2-7/8	2-11/16	2-3/4	70	80	105	59	17	M80 X 2	1	A316	KM16	MB16
H317		2-15/16	3	75	85	110	63	18	M85 X 2	1.2	A317	KM17	MB17
H318	3-1/8	3-3/16	3-1/4	80	90	120	65	18	M90 X 2	1.35	A318	KM18	MB18
H319		3-5/16	3-1/4	85	95	125	68	19	M95 X 2	1.55	A319	KM19	MB19
H320		3-7/16	3-1/2	90	100	130	71	20	M100 X 2	1.7	A320	KM20	MB20
H321				95	105	140	74	20	M105 X 2	1.95	A321	KM21	MB21
H322		3-15/16	4	100	110	145	77	21	M110 X 2	2.2	A322	KM22	MB22



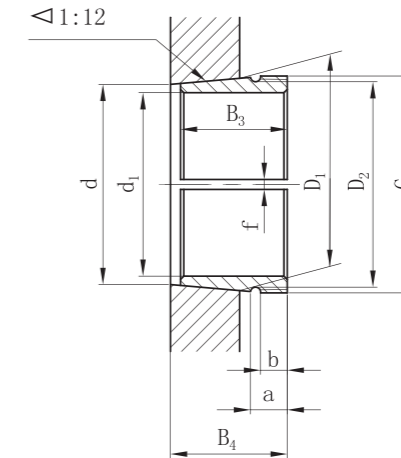
**H2300 SERIES**

Adapter Sleeve	Shaft $d_1$				Dimensions (mm)					Weight (kg)	Composition			
	H mm	HE in	HS in	HA in	d	$d_2$	$B_2$	$B_1$	G		Sleeve	Locknut	Lockwasher	Lockcard
H2304	17		5/8		20	32	31	7	M20 X 1	0.049	A2304	KM04	MB04	
H2305	20	3/4		11/16	25	38	35	8	M25 X 1.5	0.087	A2305	KM05	MB05	
H2306	25	1	7/8	15/16	30	45	38	8	M30 X 1.5	0.126	A2306	KM06	MB06	
H2307	30		1-1/8	1-3/16	35	52	43	9	M35 X 1.5	0.17	A2307	KM07	MB07	
H2308	35	1-1/4	1-3/8	1-5/16	40	58	46	10	M40 X 1.5	0.224	A2308	KM08	MB08	
H2309	40	1-1/2		1-7/16	45	65	50	11	M45 X 1.5	0.28	A2309	KM09	MB09	
H2310	45	1-3/4	1-5/8	1-11/16	50	70	55	12	M50 X 1.5	0.362	A2310	KM10	MB10	
H2311	50	2	1-7/8	1-15/16	55	75	59	12	M55 X 2	0.42	A2311	KM11	MB11	
H2312	55		2-1/8	2-1/16	60	80	62	13	M60 X 2	0.481	A2312	KM12	MB12	
H2313	60	2-1/4	2-3/8	2-3/16	65	85	65	14	M65 X 2	0.557	A2313	KM13	MB13	
H2314	60				70	92	68	14	M70 X 2	0.9	A2314	KM14	MB14	
H2315	65	2-1/2	2-5/8	2-7/16	75	98	73	15	M75 X 2	1.05	A2315	KM15	MB15	
H2316	70	2-3/4	2-7/8	2-11/16	80	105	78	17	M80 X 2	1.28	A2316	KM16	MB16	
H2317	75	3		2-15/16	85	110	82	18	M85 X 2	1.45	A2317	KM17	MB17	
H2318	80	3-1/4	3-1/8	3-3/16	90	120	86	18	M90 X 2	1.69	A2318	KM18	MB18	
H2319	85	3-1/4		3-5/16	95	125	90	19	M95 X 2	1.92	A2319	KM19	MB19	
H2320	90	3-1/2		3-7/16	100	130	97	20	M100 X 2	2.15	A2320	KM20	MB20	
H2321	95				105	140	101	20	M105 X 2	2.46	A2321	KM21	MB21	
H2322	100	4		3-15/16	110	145	105	21	M110 X 2	2.75	A2322	KM22	MB22	
H2323	110	4-1/4		4-3/16	120	155	112	22	M120 X 2	3.2	A2324	KM24	MB24	
H2326	115	4-1/2		4-7/16	130	165	121	23	M130 X 2	4.5	A2326	KM26	MB26	
H2328	125	5		4-15/16	140	180	131	24	M140 X 2	5.55	A2328	KM28	MB28	
H2330	135	5-1/4		5-3/16	150	195	139	26	M150 X 2	6.63	A2330	KM30	MB30	
H2332	140	5-1/2		5-7/16	160	210	147	28	M160 X 3	9.15	A2332	KM32	MB32	
H2334	150	6		5-15/16	170	220	154	29	M170 X 3	10.2	A2334	KM34	MB34	
H2336	160	6-1/2		6-7/16	180	230	161	30	M180 X 3	11.3	A2336	KM36	MB36	
H2338	170	6-3/4		6-15/16	190	240	169	31	M190 X 3	12.6	A2338	KM38	MB38	
H2340	180	7		7-3/16	200	250	176	32	M200 X 3	14	A2340	KM40	MB40	
H2344	200				220	280	186	44	M220 X 4	16.7	A2344	KM44		MS44
H2348	220				240	300	199	46	M240 X 4	29.7	A2348	KM48		MS48
H2352	240				260	330	211	49	M260 X 4	24.2	A2352	KM52		MS52
H2356	260				280	350	224	51	M280 X 4	27.8	A2356	KM56		MS56



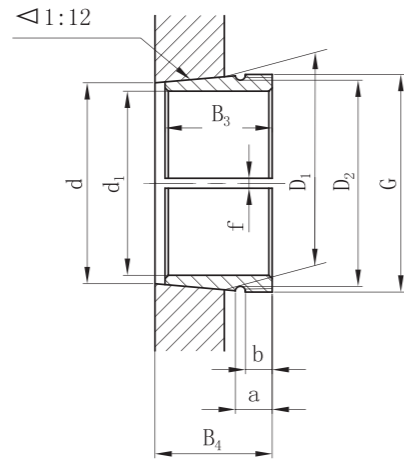
**H3200 SERIES**

Adapter Sleeve	Dimensions (mm)						Weight (kg)	Composition		
	d <sub>1</sub>	d	d <sub>2</sub>	B <sub>1</sub>	B <sub>2</sub>	G		Sleeve	Locknut	Lockcard
H3260	280	300	380	240	53	T300X4	34.1	A3260	HM60	MS60
H3264	300	320	400	258	36	T320X5	39.3	A3264	HM64	MS64
H3268	320	340	440	288	72	T340X5	54.6	A3268	HM68	MS68
H3272	340	360	460	299	75	T360X5	60.2	A3272	HM72	MS72
H3276	360	380	490	310	77	T380X5	69.6	A3276	HM76	MS76
H3280	380	400	520	328	82	T400X5	81	A3280	HM80	MS80
H3284	400	420	540	352	90	T420X5	94	A3284	HM84	MS84
H3288	410	440	560	361	90	T440X5	118	A3288	HM88	MS88
H3292	430	460	580	382	95	T460X5	132	A3292	HM92	MS92
H3296	450	480	620	397	95	T480X5	152	A3296	HM96	MS96



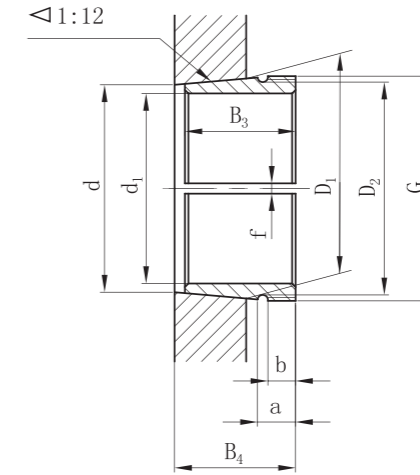
**AH200 SERIES  
AH300 SERIES**

Adapter Sleeve	Dimensions (mm)											Weight (kg)	Locknut
	d <sub>1</sub>	d	B <sub>3</sub>	B <sub>2</sub>	D <sub>1</sub>	D <sub>2</sub>	a	b	f	G			
AH208	35	40	25	27	41.50	41	9	6	2	M45 X 1.5		0.081	KM09
AH209	40	45	26	29	46.67	46	9	6	2	M50 X 1.5		0.095	KM10
AH210	45	50	28	31	51.15	51	10	7	2	M55 X 2		0.115	KM11
AH211	50	55	29	32	56.83	56	10	7	3	M60 X 2		0.133	KM12
AH212	55	60	32	35	62.00	61.5	11	8	3	M65 X 2		0.162	KM13
AH213	60	65	32.5	36	67.08	66.5	11	8	3	M75 X 2		0.215	KM15
AH214	65	70	33.5	37	72.17	71.5	11	8	3	M80 X 2		0.25	KM16
AH215	70	75	34.5	38	77.25	76.5	11	8	3	M85 X 2		0.26	KM17
AH216	75	80	35.5	39	82.33	81.5	11	8	3	M90 X 2		0.285	KM18
AH217	80	85	38.5	42	87.50	87	12	9	3	M95 X 2		0.316	KM19
AH218	85	90	40	44	92.67	92	12	9	3	M100 X 2		0.352	KM20
AH219	90	95	43	47	97.83	97	13	10	4	M105 X 2		0.405	KM21
AH220	95	100	45	49	103.00	102.5	13	10	4	M110 X 2		0.483	KM22
AH222	105	110	50	54	113.33	112.5	14	11	4	M120 X 2		0.548	KM24
AH224	115	120	53	57	123.50	123	15	12	4	M130 X 2		0.62	KM26
AH226	125	130	53	57	133.50	133	15	12	4	M140 X 2		0.69	KM28
AH228	135	140	56	61	143.75	143	16	13	4	M150 X 2		0.76	KM30
AH230	145	150	60	65	154.00	153.5	17	14	4	M160 X 3		0.84	KM32
AH232	150	160	64	69	164.25	163	18	15	5	M170 X 3		0.93	KM34
AH234	160	170	69	74	174.58	173	19	16	5	M180 X 3		1.56	KM36
AH236	170	180	69	74	184.58	183	19	16	5	M190 X 3		2.21	KM38
AH238	180	190	73	78	194.58	193	23	17	5	M205 X 4		2.91	KM41
AH240	190	200	77	82	204.83	203	24	18	5	M215 X 4		3.72	KM43
AH244	200	220	85	91	225.58	224	24	18	5	M235 X 4		4.65	KM47
AH248	220	240	96	102	246.17	245	28	22	5	M260 X 4		5.34	KM52
AH252	240	260	105	111	266.83	265	29	23	6	M280 X 4		6.22	KM56
AH256	260	280	105	113	287.00	286	29	23	6	M300 X 4		7.18	KM60
AH308	35	40	29	32	41.92	41	9	6	2	M45 X 1.5		0.09	KM09
AH309	40	45	31	34	47.08	46.5	9	6	2	M50 X 1.5		0.109	KM10
AH310	45	50	35	38	52.33	51.5	10	7	2	M55 X 2		0.137	KM11
AH311	50	55	37	40	57.50	56.5	10	7	3	M60 X 2		0.162	KM12
AH312	55	60	40	43	62.67	61.5	11	8	3	M65 X 2		0.189	KM13
AH313	60	65	42	45	67.83	67	11	8	3	M75 X 2		0.253	KM15
AH314	65	70	43	47	73.00	72.5	11	8	3	M80 X 2		0.28	KM16
AH315	70	75	45	49	78.17	77.5	11	8	3	M85 X 2		0.313	KM17
AH316	75	80	48	52	83.42	82.5	11	8	3	M90 X 2		0.365	KM18
AH317	80	85	52	56	88.67	88	12	9	3	M95 X 2		0.429	KM19
AH318	85	90	53	57	93.75	93	12	9	3	M100 X 2		0.461	KM20
AH319	90	95	57	61	99.00	98.5	13	10	4	M105 X 2		0.532	KM21
AH320	95	105	59	63	104.17	103.5	13	10	4	M110 X 2		0.582	KM22
AH322	105	115	63	67	114.33	113.5	15	12	4	M120 X 2		0.663	KM24
AH324	115	125	69	73	124.75	124	16	13	4	M130 X 2		0.875	KM26
AH326	125	135	74	78	135.08	134.5	17	14	4	M140 X 2		1.03	KM28
AH328	135	145	77	82	145.42	144.5	17	14	4	M150 X 2		1.15	KM30
AH330	145	150	83	88	155.83	155	18	15	4	M165 X 3		1.55	KM33
AH332	150	160	88	93	166.17	165	19	16	5	M180 X 3		2.73	KM36
AH334	160	170	93	98	176.50	175	20	17	5	M190 X 3		3.2	KM38



**AH2300 SERIES**  
**AH3200 SERIES**

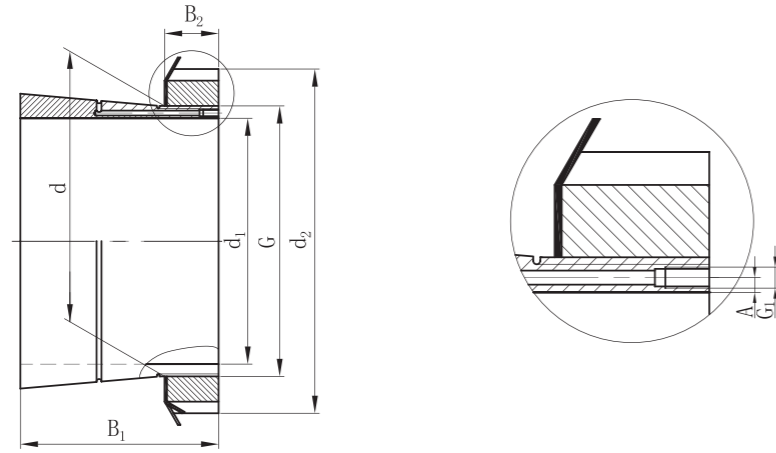
Adapter Sleeve	Dimensions (mm)										Weight (kg)	Locknut
	d <sub>1</sub>	d	B <sub>3</sub>	B <sub>4</sub>	D <sub>1</sub>	D <sub>2</sub>	a	b	f	G		
AH2308	35	40	40	43	42.76	42	10	7	2	M45 X 1.5	0.128	KM09
AH2309	40	45	44	47	48.08	47.5	10	7	2	M50 X 1.5	0.164	KM10
AH2310	45	50	50	53	53.50	52	12	9	2	M55 X 2	0.209	KM11
AH2311	50	55	54	57	58.67	57	13	10	3	M60 X 2	0.253	KM12
AH2312	55	60	58	61	63.92	62	14	11	3	M65 X 2	0.297	KM13
AH2313	60	65	61	64	69.08	68.5	15	12	3	M75 X 2	0.395	KM15
AH2314	65	70	64	68	74.42	73.5	15	12	3	M80 X 2	0.466	KM16
AH2315	70	75	68	72	79.75	79	15	12	3	M85 X 2	0.534	KM17
AH2316	75	80	71	75	85.00	84.5	15	12	3	M90 X 2	0.597	KM18
AH2317	80	85	74	78	90.17	89.5	16	13	3	M95 X 2	0.69	KM19
AH2318	85	90	79	83	95.50	95	17	14	3	M100 X 2	0.779	KM20
AH2319	90	95	85	89	100.83	100	19	16	4	M105 X 2	0.886	KM21
AH2320	95	100	90	94	106.25	105.5	19	16	4	M110 X 2	0.998	KM22
AH2322	105	110	98	102	116.92	116	19	16	4	M125 X 2	1.35	KM25
AH2324	115	120	105	109	127.42	126.5	20	17	4	M135 X 2	1.6	KM27
AH2326	125	130	115	119	138.08	137.5	22	19	4	M145 X 2	1.97	KM29
AH2328	135	140	125	130	148.92	148	23	20	4	M155 X 3	2.33	KM31
AH2330	145	150	135	140	159.42	158.5	27	24	4	M165 X 3	2.82	KM33
AH2332	150	160	140	146	169.92	168	27	24	5	M180 X 3	4.72	KM36
AH2334	160	170	146	152	180.42	179	27	24	5	M190 X 3	5.25	KM38
AH2336	170	180	154	160	189.92	189	29	26	5	M200 X 3	5.83	KM40
AH2338	180	190	160	167	201.25	200	32	26	5	M210 X 4	6.63	HM42
AH2340	190	200	170	177	211.75	210	36	30	5	M220 X 4	7.54	HM44
AH2344	200	220	181	189	232.75	231	36	30	5	M240 X 4	13.5	HM48
AH2348	220	240	189	197	253.42	252	36	30	5	M260 X 4	15.5	HM52
AH2352	240	260	205	213	274.75	273	36	30	6	M290 X 4	19.6	HM58
AH2356	260	280	212	220	295.33	294	36	30	6	M310 X 5	21.6	HM62
AH3218	58	90	63	67	94.50	94	13	10	3	M100 X 2	0.576	KM20
AH3219	90	95	67	71	99.75	99	14	11	4	M105 X 2	0.65	KM21
AH3220	95	100	73	77	105.25	104.5	14	11	4	M110 X 2	0.767	KM22
AH3222	105	110	82	86	116.00	115.5	14	11	4	M125 X 2	0.88	KM25
AH3224	115	120	90	94	126.50	126	16	13	4	M135 X 2	1.11	KM27
AH3226	125	130	98	102	137.00	136.5	18	15	4	M145 X 2	1.58	KM29
AH3228	135	140	104	109	147.58	147	18	15	4	M155 X 3	1.84	KM31
AH3230	145	150	114	119	158.25	157.5	20	17	4	M165 X 3	2.22	KM33
AH3232	150	160	124	130	168.92	167	23	2	5	M180 X 3	4.08	KM36
AH3234	160	170	134	140	179.42	178	27	24	5	M190 X 3	4.80	KM38
AH3236	170	180	140	146	189.92	188	27	24	5	M200 X 3	5.32	KM40
AH3238	180	190	145	152	200.08	199	31	25	5	M210 X 4	5.90	KM42
AH3240	190	200	153	160	210.75	209	31	25	5	M220 X 4	6.68	KM44
AH3260	280	300	228	236	316.33	315	40	34	6	M330 X 5	26.00	HM66
AH3264	300	320	246	254	337.67	336	42	36	6	M350 X 5	30.60	HM70
AH3268	320	340	264	273	359.08	358	44	38	6	M370 X 5	35.40	HM74
AH3272	340	360	274	283	379.95	378	46	40	6	M400 X 5	41.50	HM80
AH3276	360	380	284	294	400.50	399	48	42	6	M420 X 5	45.60	HM84
AH3280	380	400	302	312	421.83	420	50	44	6	M440 X 5	51.70	HM88
AH3284	400	420	321	331	443.25	442	52	46	8	M460 X 5	58.90	HM92
AH3288	420	440	330	341	463.92	462	54	46	8	M480 X 5	63.80	HM96
AH3292	440	460	349	360	485.33	484	56	50	8	M510 X 6	74.50	HM102
AH3296	460	480	364	376	506.50	505	58	52	8	M530 X 6	82.10	HM106



**AH3000 SERIES**  
**AH3100 SERIES**

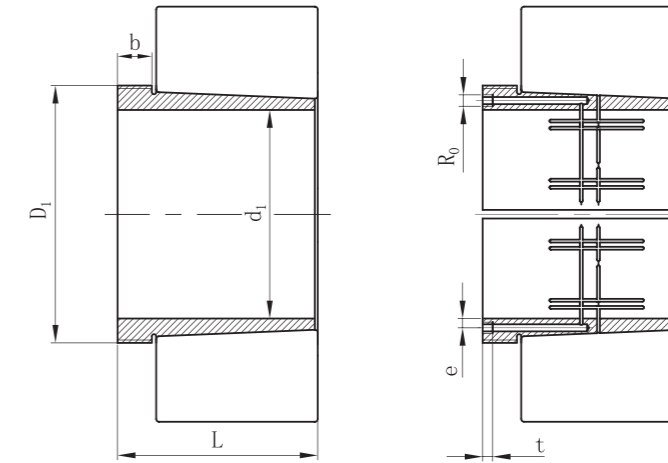
Adapter Sleeve	Dimensions (mm)										Weight (kg)	Locknut
	d <sub>1</sub>	d	B <sub>3</sub>	B <sub>4</sub>	D <sub>1</sub>	D <sub>2</sub>	a	b	f	G		
AH3120	95	100	64	68	104.50	104	14	11	4	M110 X 2	0.65	KM22
AH3122	105	110	68	72	114.83	114	14	11	4	M120 X 2	0.76	KM24
AH3124	115	120	75	79	125.33	124	15	12	4	M130 X 2	0.95	KM26
AH3126	125	130	78	82	135.58	135	15	12	4	M140 X 2	1.08	KM28
AH3128	135	140	83	88	145.92	145	17	14	4	M150 X 2	1.28	KM30
AH3130	145	150	96	101	156.92	156	18	15	4	M165 X 3	1.79	KM33
AH3132	150	160	103	108	167.42	166	19	16	5	M180 X 3	2.87	KM36
AH3134	160	170	104	109	177.00	176	19	16	5	M190 X 3	3.04	KM38
AH3136	170	180	116	122	188.33	187	22	19	5	M200 X 3	3.76	KM40
AH3138	180	190	125	131	198.75	197	26	20	5	M210 X 4	4.89	HM42
AH3140	190	200	134	140	209.42	208	27	21	5	M220 X 4	5.49	HM44
AH3144	200	220	145	151	230.17	229	29	23	5	M240 X 4	10.40	HM48
AH3148	220	240	154	161	250.83	249	31	25	5	M260 X 4	12.00	HM52
AH3152	240	260	172	179	272.25	271	32	26	6	M290 X 4	16.20	HM58
AH3156	260	280	175	183	292.42	291	34	34	6	T310 X 5	17.50	HM62
AH3160	280	300	192	200	313.67	312	36	30	6	T330 X 5	20.80	HM66
AH3164	300	320	209	217	335.00	334	37	31	6	T350 X 5	24.50	HM70
AH3168	320	340	225	234	356.25	355	39	33	6	T370 X 5	29.00	HM74
AH3172	340	360	229	238	376.42	375	41	35	6	T400 X 5	33.00	HM80
AH3176	360	380	232	242	396.67	395	42	36	6	T420 X 5	35.70	HM84
AH3180	380	400	240	250	417.17	416	44	38	6	T440 X 5	39.50	HM88
AH3192	440	460	285	296	480.58	479.5	49	43	8	T510 X 6	57.90	HM102
AH3196	460	480	295	307	501.33	500	51	45	8	T530 X 6	63.10	HM106
AH3024	115	120	60	64	124.00	123.5	16	13	4	M130 X 2	0.75	KM26
AH3026	125	130	67	71	134.50	134	17	14	4	M140 X 2	0.93	KM28
AH3028	135	140	68	73	144.67	144	17	14	4	M150 X 2	1.01	KM30
AH3030	145	150	72	77	154.92	154	18	15	4	M160 X 2	1.15	KM32
AH3032	150	160	77	82	165.25	164	19	16	5	M170 X 2	2.06	KM34
AH3034	160	170	85	90	175.83	174	20	17	5	M185 X 3	2.43	KM36
AH3036	170	180	92	98	186.25	185	23	17	5	M190 X 3	2.80	KM38
AH3038	180	190	96	102	196.50	195	24	18	5	M205 X 4	3.32	HM41
AH3040	190	200	102	108	206.92	205	25	19	5	M215 X 4	3.80	HM43
AH3044	200	220	111	117	227.58	226	26	20	5	M235 X 4	7.40	HM47
AH3048	220	240	116	123	248.00	247	27	21	5	M260 X 4	8.75	HM52
AH3052	240	260	128	135	268.83	267	29	23	6	M280 X 4	10.70	HM56
AH3056	260	280	131	139	289.08	288	30	24	6	M300 X 4	12.00	HM60
AH3060	280	300	145	153	310.08	309	32	26	6	M320 X 5	14.40	HM64
AH3064	300	320	149	157	330.00	329	33	27	6	T345 X 5	16.00	HM69
AH3068	320	340	162	171	351.42	350	34	28	6	T365 X 5	19.50	HM73
AH3072	340	360	167	176	371.67	370	36	30	6	T385 X 5	21.00	HM77
AH3076	360	380	170	180	391.92	390	37	31	6	T410 X 5	23.20	HM82
AH3080	380	400	183	193	412.83	411	33	33	6	T430 X 5	27.30	HM86
AH3084	400	420	186	196	433.00	432	40	34	8	T450 X 5	29.00	HM90
AH3088	420	440	194	205	453.67	452	41	35	8	T470 X 5	32.00	HM94
AH3092	440	460	202	213	474.17	473	43	37	8	T490 X 5	35.20	HM98
AH3096	460	480	205	217	494.42	493	44	38	8	T520 X 6	39.20	HM104





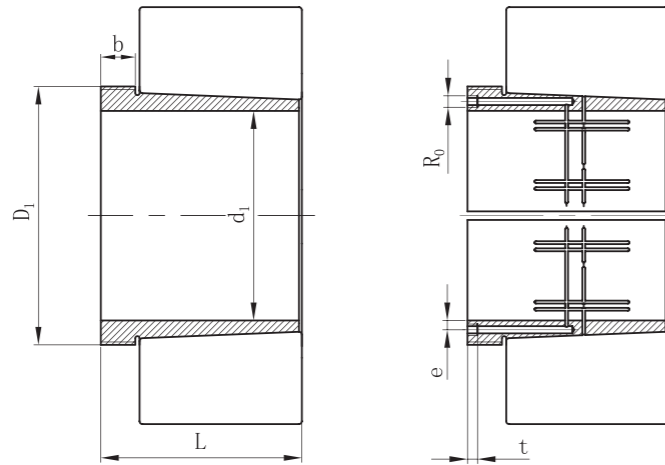
OH3100 SERIES  
OH3000 SERIES  
OH2300 SERIES

Adapter Sleeve	Shaft d <sub>1</sub> H mm	Dimensions (mm)							Weight (kg)	Composition		
		d	d <sub>2</sub>	B <sub>1</sub>	B <sub>2</sub>	G1	A	G		Sleeve	Locknut	Lockcard
OH3144	200	200	280	161	44	M6	4.2	T220 X 4	15	A3144	KM44	MS44
OH3148	220	240	300	172	46	M6	4.2	T240 X 4	18	A3148	KM48	MS48
OH3152	240	260	330	190	49	M6	4.2	T260 X 4	22.5	A3152	KM52	MS52
OH3156	260	280	350	195	51	M6	4.2	T280 X 4	25	A3156	KM56	MS56
OH3160	280	300	380	208	53	M6	4.2	T300 X 4	30.0	A3160	KM60	MS60
OH3164	300	320	400	226	56	M6	4	T320 X 5	35.0	A3164	KM64	MS64
OH3168	320	340	440	254	72	M6	4	T340 X 5		A3168	KM68	MS68
OH3172	340	360	460	259	75	M6	4	T360 X 5		A3172	KM72	MS72
OH3176	360	380	490	264	77	M6	4	T380 X 5		A3176	KM76	MS76
OH3180	380	400	520	272	82	M6	4	T400 X 5		A3180	KM80	MS80
OH3184	400	420	540	304	90	M6	4	T420 X 5		A3184	KM84	MS84
OH3188	410	440	560	307	90	M8	6.5	T440 X 5		A3188	KM88	MS88
OH3192	430	460	580	326	95	M8	6.5	T460 X 5		A3192	KM92	MS92
OH3196	450	480	620	335	95	M8	6.5	T408 X 5		A3196	KM96	MS96
OH3044	200	220	260	126	41	M6	4.2	T220 X 4	10.5	A3044	KML44	MSL44
OH3048	220	240	290	133	46	M6	4.2	T240 X 4	13	A3048	KML48	MSL48
OH3052	240	260	310	145	46	M6	4.2	T260 X 4	15.5	A3052	KML52	MSL52
OH3056	260	280	330	152	50	M6	4.2	T280 X 4	17.5	A3056	KML56	MSL56
OH3060	280	300	360	168	54	M6	4.2	T300 X 4	23	A3060	KML60	MSL60
OH3064	300	320	380	171	55	M6	4	T320 X 5	24.5	A3064	KML64	MSL64
OH3068	320	340	400	187	58	M6	4	T340 X 5	28.5	A3168	KML68	MSL68
OH3072	340	360	420	188	58	M6	4	T360 X 5	30.5	A3072	KML72	MSL72
OH3076	360	380	450	193	62	M6	4	T380 X 5	36	A3076	KML76	MSL76
OH3080	380	400	470	210	66	M6	4	T400 X 5	41.5	A3080	KML80	MSL80
OH3084	400	420	490	212	66	M6	4	T420 X 5	43.5	A3084	KML84	MSL84
OH3088	410	440	520	228	77	M8	6.5	T440 X 5	65.2	A3088	KML88	MSL88
OH3092	430	460	540	234	77	M8	6.5	T460 X 5	69.5	A3092	KML92	MSL92
OH3096	450	480	560	237	77	M8	6.5	T408 X 5	73.5	A3096	KML96	MSL96
OH2344	200	220	280	186	44	M6	4.2	T220 X 4	16.7	A2344	KM44	MS44
OH2348	220	240	300	199	46	M6	4.2	T240 X 4	29.7	A2348	KM48	MS48
OH2352	240	260	330	211	49	M6	4.2	T260 X 4	24.2	A2352	KM52	MS52
OH2356	260	280	350	224	51	M6	4.2	T280 X 4	27.8	A2356	KM56	MS56



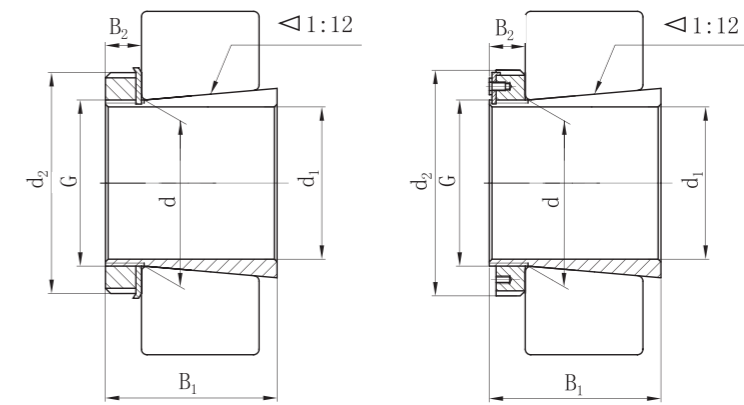
AOH2300 SERIES  
AOH3100 SERIES

Adapter Sleeve	Dimensions (mm)							Weight (kg)	Locknut
	d <sub>1</sub>	L	b	Ro	e	t	D1		
AOH2332	150	140	24	M6	4.5	7	M180 X 3	4.72	KM36
AOH2334	160	146	24	M6	4.5	7	M190 X 3	5.25	KM38
AOH2336	170	154	26	M6	4.5	7	M200 X 3	5.83	KM40
AOH2338	180	160	26	M6	4.5	7	T210 X 4	6.63	HM42
AOH2340	190	170	30	M6	4.5	7	T220 X 4	7.54	HM44
AOH2344	200	181	30	PT1/8	8	12	T240 X 4	13.5	HM48
AOH2348	220	189	30	PT1/8	8	12	T260 X 4	15.5	HM52
AOH2352	240	205	30	PT1/8	8	12	T290 X 4	19.6	HM58
AOH2356	260	212	30	PT1/8	8	12	T310 X 5	21.6	HM62
AOH3132	150	103	16	M6	4.5	7	M180 X 3	3.21	KM36
AOH3134	160	104	16	M6	4.5	7	M190 X 3	3.4	KM38
AOH3136	170	116	19	M6	4.5	7	M200 X 3	4.22	KM40
AOH3138	180	125	20	M6	4.5	7	T210 X 4	4.89	HM42
AOH3140	190	134	21	M6	4.5	7	T220 X 4	5.49	HM44
AOH3144	200	145	23	PT1/8	8	12	T240 X 4	10.4	HM48
AOH3148	220	154	25	PT1/8	8	12	T260 X 4	12	HM52
AOH3152	240	172	26	PT1/8	8	12	T290 X 4	16.2	HM58
AOH3156	260	175	28	PT1/8	8	12	T310 X 5	17.5	HM62
AOH3160	280	192	30	PT1/8	8	12	T330 X 5	20.8	HM66
AOH3164	300	209	31	PT1/8	8	12	T350 X 5	24.5	HM70
AOH3168	320	225	33	PT1/8	8	12	T370 X 5	29	HM74
AOH3172	340	229	35	PT1/8	8	12	T400 X 5	33	HM80
AOH3176	360	232	36	PT1/8	8	12	T420 X 5	35.7	HM84
AOH3180	380	240	38	PT1/8	8	12	T440 X 5	39.5	HM88
AOH3184	400	266	40	PT1/8	8	12	T460 X 5	46.5	HM92
AOH3188	420	270	42	PT1/8	8	12	T480 X 5	49.8	HM96
AOH3192	440	285	43	PT1/8	8	12	T510 X 6	57.9	HM102
AOH3196	460	295	45	PT1/8	8	12	T530 X 6	63.1	HM106



**AOH3000 SERIES**  
**AOH3200 SERIES**

Adapter Sleeve	Dimensions (mm)							Weight (kg)	Locknut
	d <sub>1</sub>	L	b	Ro	e	t	D1		
AOH3032	150	77	16	M6	4	7	M170 X 3	2.06	KM34
AOH3034	160	85	17	M6	4	7	M180 X 3	2.43	KM36
AOH3036	170	92	17	M6	4	7	M190 X 3	2.81	KM38
AOH3038	180	96	18	M6	4	7	M205 X 4	3.32	HM41
AOH3040	190	102	19	M6	4	7	M215 X 4	3.8	HM43
AOH3044	200	111	20	PT1/8	8	12	M235 X 4	7.4	HM47
AOH3048	220	116	21	PT1/8	8	12	M260 X 4	8.75	HM52
AOH3052	240	128	23	PT1/8	8	12	M280 X 4	10.7	HM56
AOH3056	260	131	24	PT1/8	8	12	M300 X 4	12	HM60
AOH3060	280	145	26	PT1/8	8	12	M320 X 5	14.4	HM64
AOH3064	300	149	27	PT1/8	8	12	M340 X 5	16	HM69
AOH3068	320	162	28	PT1/8	8	12	M365 X 5	19.5	HM73
AOH3072	340	167	30	PT1/8	8	12	M385 X 5	21	HM77
AOH3076	360	170	31	PT1/8	8	12	M410 X 5	23.2	HM82
AOH3080	380	183	33	PT1/8	8	12	M430 X 5	27.3	HM86
AOH3084	400	186	34	PT1/8	8	12	M450 X 5	29	HM90
AOH3088	420	194	35	PT1/8	8	12	M470 X 5	32	HM94
AOH3092	440	202	37	PT1/8	8	12	M490 X 5	35.2	HM98
AOH3096	460	205	38	PT1/8	8	12	M520 X 6	39.2	HM104
AOH3232	150	124	20	M6	4.5	7	M180 X 3	4.08	KM36
AOH3234	160	134	24	M6	4.5	7	M190 X 3	4.8	KM38
AOH3236	170	140	24	M6	4.5	7	M200 X 3	5.32	HM40
AOH3238	180	145	25	M6	4.5	7	M210 X 4	5.9	HM42
AOH3240	190	153	25	M6	4.5	7	M220 X 4	6.68	HM44
AOH3260	280	228	34	PT1/8	8	12	M330 X 5	26	HM66
AOH3264	300	246	36	PT1/8	8	12	M350 X 5	30	HM70
AOH3268	320	264	38	PT1/8	8	12	M370 X 5	35.8	HM74
AOH3272	340	274	40	PT1/8	8	12	M400 X 5	41.6	HM80
AOH3276	360	284	42	PT1/8	8	12	M420 X 5	46.3	HM84
AOH3280	380	302	44	PT1/8	8	12	M440 X 5	52.5	HM88
AOH3284	400	321	46	PT1/8	8	12	M460 X 5	59.7	HM92
AOH3288	420	330	48	PT1/8	8	12	M480 X 5	64.8	HM96
AOH3292	440	340	50	PT1/8	8	12	M510 X 5	75.2	HM102
AOH3296	460	364	52	PT1/8	8	12	M530 X 5	83.1	HM106



**H3100 SERIES**  
**H3000 SERIES**

Adapter Sleeve	Shaft d <sub>1</sub>			Dimensions (mm)					Weight (kg)	Composition			
	H mm	HE in	HA in	d	d <sub>2</sub>	B <sub>1</sub>	B <sub>2</sub>	G		Sleeve	Locknut	Lockwasher	Lockcard
H3120	90	3-1/2	3-7/16	100	130	75	20	M100 X 2	1.8	A3120	KM20	MB20	
H3122	100	4	3-15/16	110	145	81	21	M110 X 2	2.4	A3122	KM22	MB22	
H3124	110	4-1/4	4-3/16	120	155	88	22	M120 X 2	2.65	A3124	KM24	MB24	
H3126	115	4-1/2	4-7/16	130	165	92	23	M130 X 2	3.65	A3126	KM26	MB26	
H3128	125	5	4-15/16	140	180	97	24	M140 X 2	4.36	A3128	KM28	MB28	
H3130	135	5-1/4	5-3/16	150	195	111	26	M150 X 2	5.5	A3130	KM30	MB30	
H3132	140	5-1/2	5-7/16	160	210	119	28	M160 X 3	7.65	A3132	KM32	MB32	
H3134	150	6	5-15/16	170	220	122	29	M170 X 3	8.4	A3134	KM34	MB34	
H3136	160	6-1/2	6-7/16	180	230	131	30	M180 X 3	9.5	A3136	KM36	MB36	
H3138	170	6-3/4	6-15/16	190	240	141	31	M190 X 3	11	A3138	KM38	MB38	
H3140	180	7	7-3/16	200	250	150	32	M200 X 3	12	A3140	KM40	MB40	
H3144	200		7-15/16	220	280	161	44	T220 X 4	15	A3144	KM44		MS44
H3148	220			240	300	172	46	T240 X 4	18	A3148	KM48		MS48
H3152	240			260	330	190	49	T260 X 4	22.5	A3152	KM52		MS52
H3156	260			280	350	195	51	T280 X 4	25	A3156	KM56		MS56
H3160	280			300	380	208	53	T300 X 4	30.0	A3160	KM60		MS60
H3164	300			320	400	226	56	T320 X 5	35.0	A3164	KM64		MS64
H3168	320			340	440	254	72	T340 X 5		A3168	KM68		MS68
H3172	340			360	460	259	75	T360 X 5		A3172	KM72		MS72
H3176	360			380	490	264	77	T380 X 5		A3176	KM76		MS76
H3180	380			400	520	272	82	T400 X 5		A3180	KM80		MS80
H3184	400			420	540	304	90	T420 X 5		A3184	KM84		MS84
H3188	410			440	560	307	90	T440 X 5		A3188	KM88		MS88
H3192	430			460	580	326	95	T460 X 5		A3192	KM92		MS92
H3196	450			480	620	335	95	T480 X 5		A3196	KM96		MS96
H3024	110	4-1/4	4-3/16	120	145	72	22	M120 X 2	1.95	A3024	KML24	MBL24	
H3026	115	4-1/2	4-7/16	130	155	80	23	M130 X 2	2.85	A3026	KML26	MBL26	
H3028	125	5	4-15/16	140	165	82	24	M140 X 2	3.15	A3028	KML28	MBL28	
H3030	135	5-1/4	5-3/16	150	180	87	26	M150 X 2	3.9	A3030	KML30	MBL30	
H3032	140	5-1/2	5-7/16	160	190	93	28	M160 X 2	5.2	A3032	KML32	MBL32	
H3034	150	6	5-15/16	170	200	101	29	M170 X 2	6	A3034	KML34	MBL34	
H3036	160	6-1/2	6-7/16	180	210	109	30	M180 X 3	6.85	A3036	KML36	MBL36	
H3038	170	6-3/4	6-15/16	190	220	112	31	M190 X 3	7.45	A3038	KML38	MBL38	
H3040	180	7	7-3/16	200	240	120	32	M200 X 3	9.2	A3040	KML40	MBL40	
H3044	200		7-15/16	220	260	126	41	T220 X 4	10.5	A3044	KML44		MSL44
H3048	220		8-15/16	240	290	133	46	T240 X 4	13	A3048	KML48		MSL48
H3052	240		9-7/16	260	310	145	46	T260 X 4	15.5	A3052	KML52		MSL52
H3056	260		10-7/16	280	330	152	50	T280 X 4	17.5	A3056	KML56		MSL56
H3060	280		10-15/16	300	360	168	54	T300 X 4	23	A3060	KML60		MSL60
H3064	300		11-15/16	320	380	171	55	T320 X 5	24.5	A3064	KML64		MSL64
H3068	320		12-7/16	340	400	187	58	T340 X 5	28.5	A3068	KML68		MSL68
H3072	340		13-7/16	360	420	188	58	T360 X 5	30.5	A3072	KML72		MSL72
H3076	360		13-15/16	380	450	193	62	T380 X 5	36	A3076	KML76		MSL76
H3080	380			400	470	210	66	T400 X 5	41.5	A3080	KML80		MSL80
H3084	400			420	490	212	66	T420 X 5	43.5	A3084	KML84		MSL84
H3088	410			440	520	228	77	T440 X 5	65.2	A3088	KML88		MSL88
H3092	430			460	540	234	77	T460 X 5	69.5	A3092	KML92		MSL92
H3096	450			480	560	237	77	T480 X 5	73.5	A3096	KML96		MSL96